



# Ashmount SG™

Cigarette Bin fitted with SmokeGuard™;  
a unique smoke dampening device

INSTALLATION INSTRUCTIONS AND USER MANUAL



**IMPORTANT NOTE: ENSURE THAT ALL RELEVANT PERSONNEL READ THE POINTS LISTED WITHIN THIS LEAFLET AND THAT A COPY IS GIVEN TO STAFF INVOLVED WITH THE INSTALLATION AND MAINTENANCE OF THIS PRODUCT.**

## PERMANENT AND LIFT OFF WALL MOUNTING INSTRUCTIONS

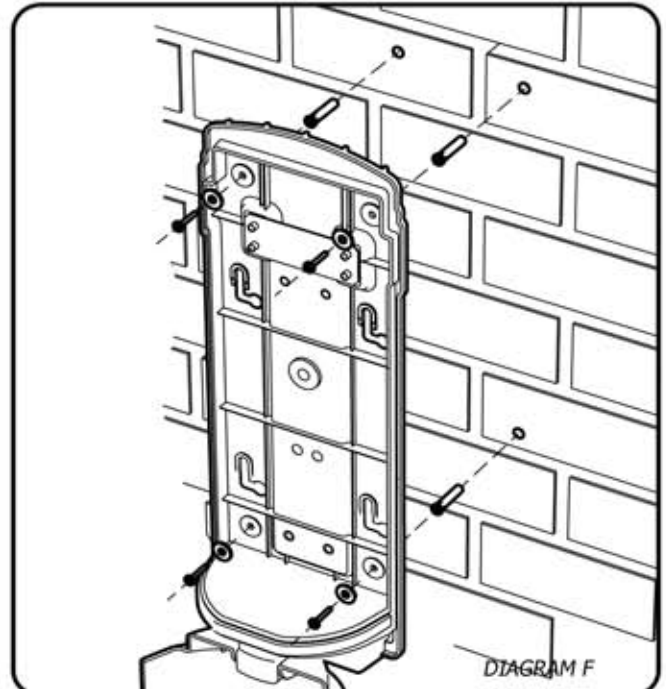
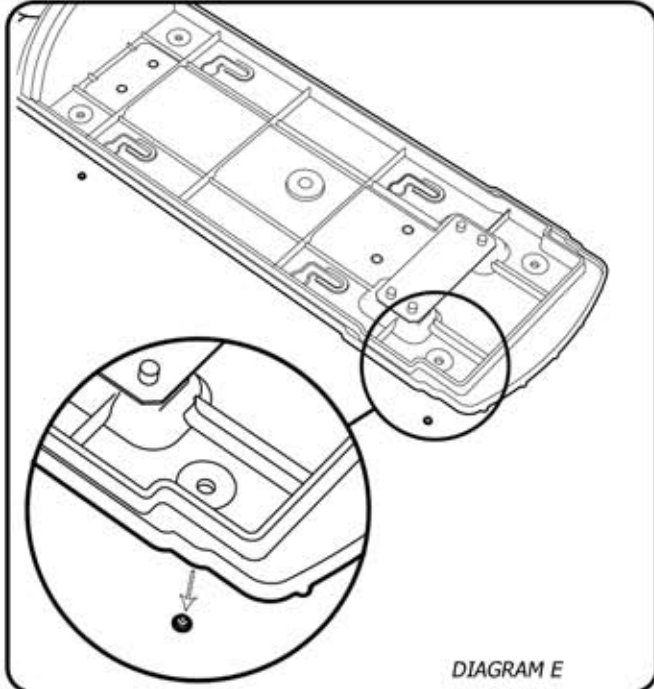
### KIT CONTENTS

Woodscrews	x4	Spacers	x4
Wall Plugs	x4		
Washers	x4		

### TOOLS REQUIRED:

Battery Drill	x1	Scriber	x1
10mm Drill Bit	x1		
Screwdriver	x1		

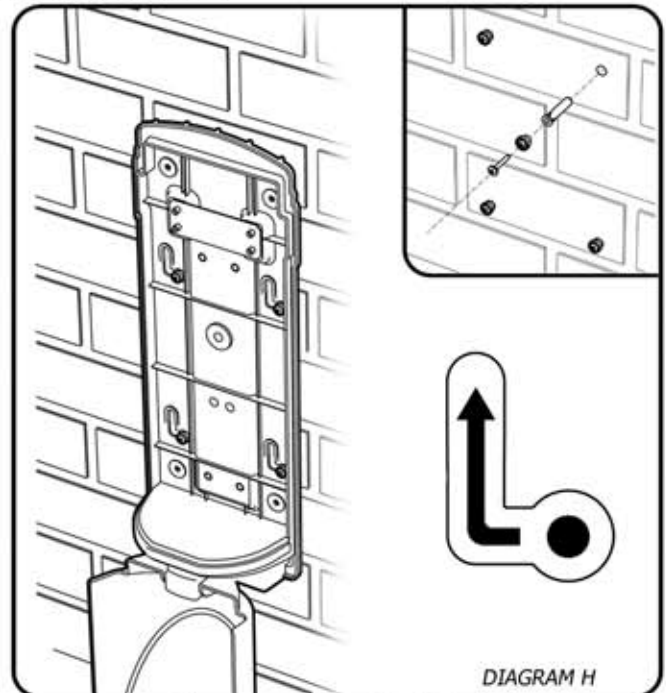
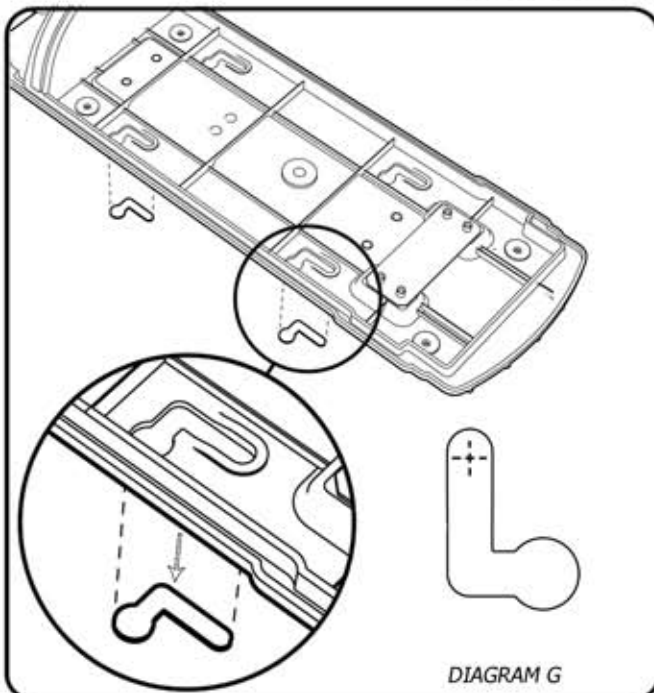
### PERMANENT WALL MOUNTING



1. After opening the Ashmount SG and removing the liner, pop out all four of the holes as shown above (we recommend using a screwdriver for this). Now position the Ashmount onto a wall and mark out the holes using a scribe (recommended height from the ground to the top of the unit is 1500mm).

2. Now remove the Ashmount SG and drill the holes using a 10mm drill bit and insert a wall plug into each hole. The Ashmount can now be repositioned ensuring the holes match up and screwed onto the wall using a washer and a screw provided in the kit.

### LIFT OFF WALL MOUNTING



1. After opening the Ashmount SG and removing the liner, pop out all four of the 'L' shapes as shown above. Now position the Ashmount onto a wall and mark out the centre point of the circle within each 'L' shape using a scribe (recommended height from the ground to the top of the unit is 1500mm).

2. Remove the Ashmount SG and drill the holes using a 10mm drill bit and insert a wall plug into each hole. Screw a spacer and a screw into each hole. The unit can now be slotted onto the proud screws (as shown by the arrow above) and removed when required. If you have any difficulty attaching the unit the screws may need to be loosened slightly.

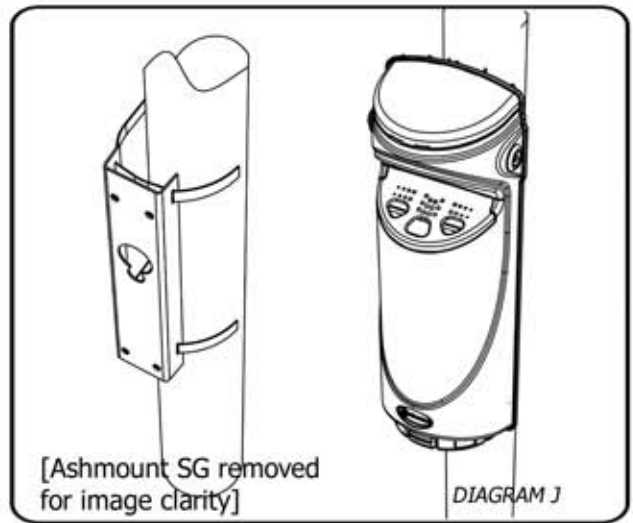
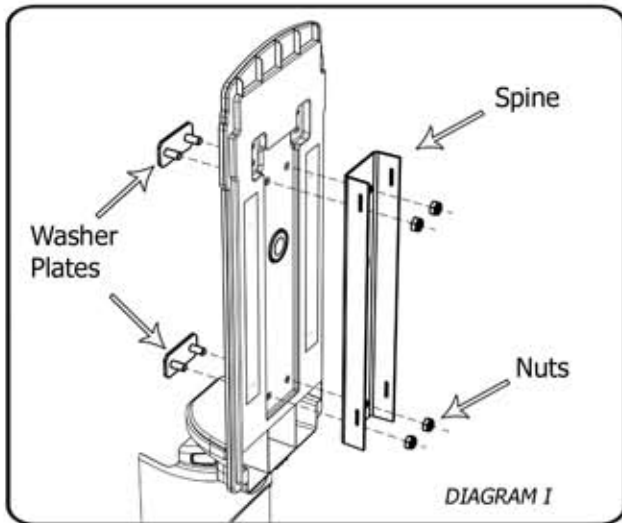
## POST MOUNTING INSTRUCTIONS

### KIT CONTENTS

Spine	x1
M8 Nut	x4
Washer Plate	x2

### TOOLS REQUIRED:

13mm Spanner	x1
--------------	----



1. After opening the unit and removing the liner, pop out all four of the holes as shown above (we recommend using a screwdriver for this). Now insert the washer plates through the holes which have just been created. Take the spine and position onto the rear of the unit and insert onto the washer plate studs. Secure using the nuts provided with a 13mm spanner.

2. Secure the Ashmount SG to a post using either Glasdon tamtorque banding (call Glasdon for details) or Tespa banding and follow the instructions issued with the banding.

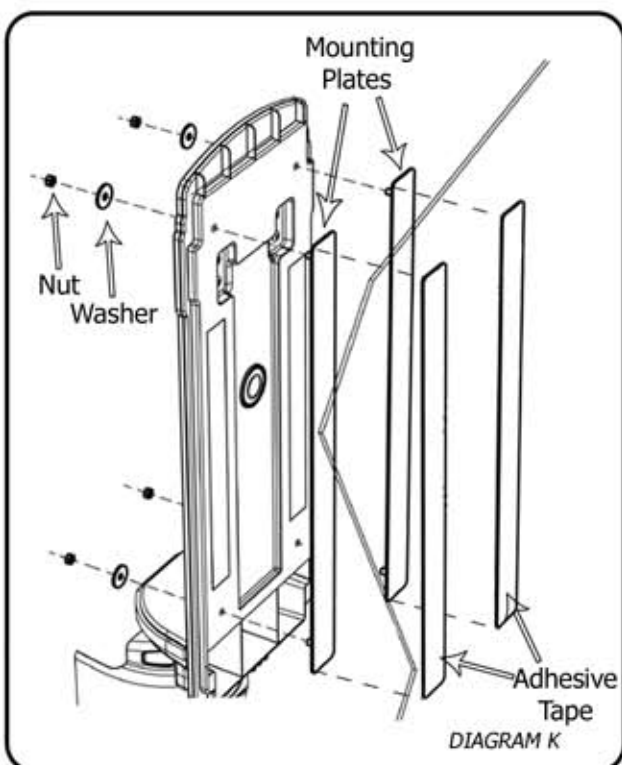
## GLASS MOUNTING INSTRUCTIONS

### KIT CONTENTS

Mounting Plate	x2	Adhesive Tape	x2
M5 Nut	x4	Surface Cleaner Sachet	x1
Washer	x4	Cover Patch	x1

### TOOLS REQUIRED:

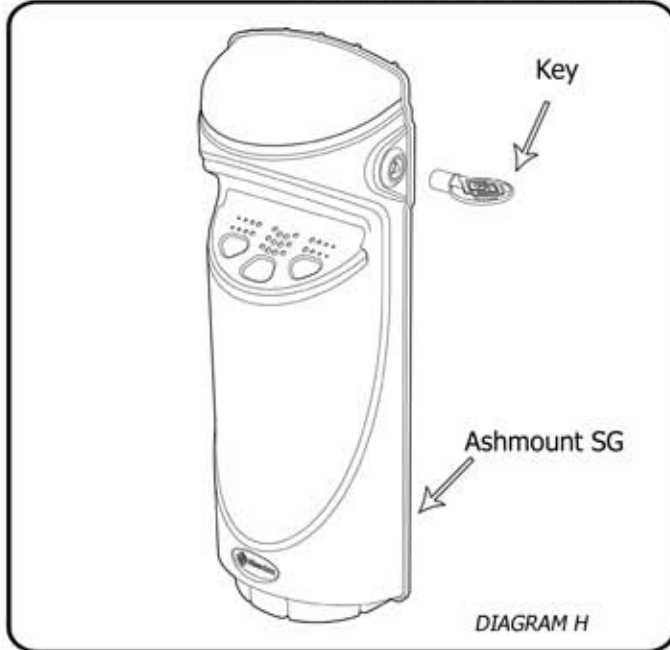
8mm Spanner	x1
-------------	----



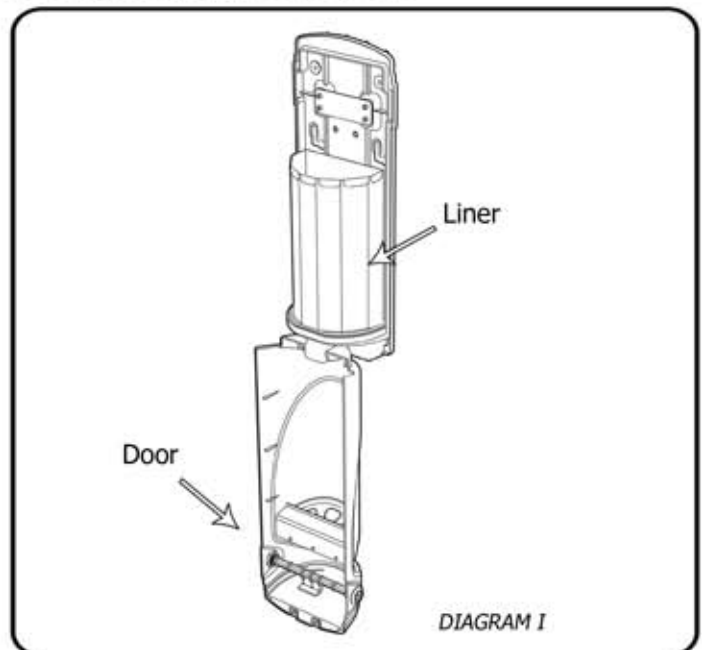
1. Pop out the four holes indicated in the diagram, we recommend using a screwdriver for this.
2. Fix the mounting plates to the rear of the unit using the washers and nuts as shown in the diagram.
3. Select a suitable vertical mounting location and clean the area using a warm, mild detergent solution. Rinse and completely dry the area using a cloth. Using the sachet provided in the kit wipe the area of glass.
4. Now take the two strips of adhesive tape, remove the backing and stick to each of the mounting plates.
5. Remove the protective film from both strips of tape and carefully position on the glass and hold with firm pressure for 30 seconds ensuring the product is in the correct location as the adhesive is VERY strong and will be very difficult to remove once applied. Gently warm the area of adhesion on the reverse side of the glass for about a minute (eg. using a domestic hair drier) to promote bond strength. 50% bond strength will be reached after 10 minutes, 90% after 24 hours.

- Included within the kit is a cover patch for the rear of the glass should you wish to improve the appearance of the backface.

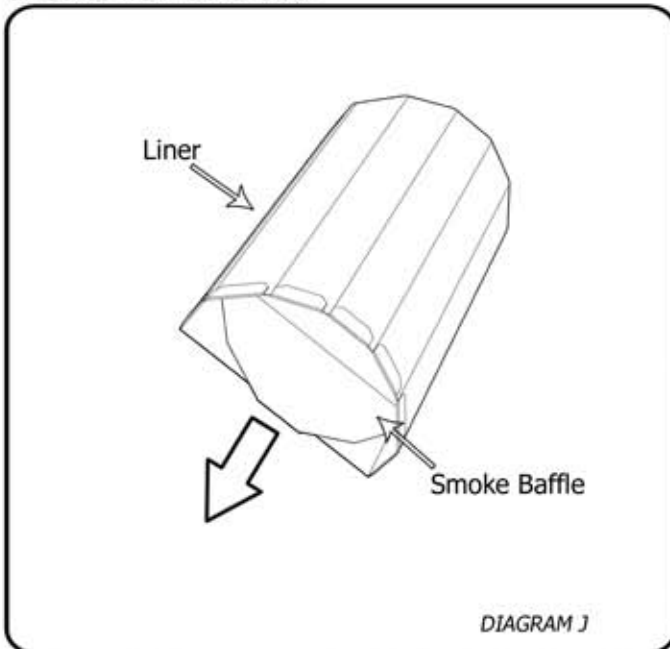
## USING AND MAINTAINING YOUR ASHMOUNT SG



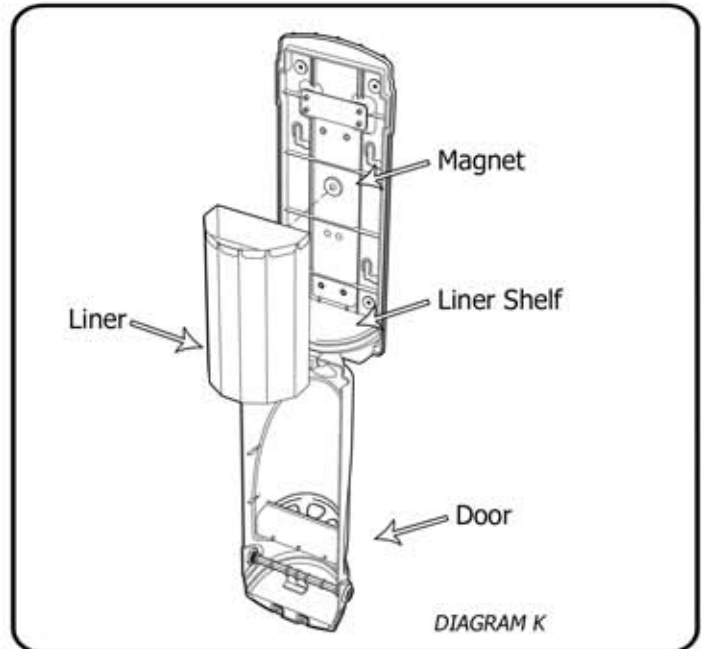
1. Unlock your Ashmount SG using the key provided by turning anti clockwise (see diagram above). It can be unlocked from either side.



2. The door will now pivot open and the liner can be removed for emptying.



3. Empty the liner contents by simply tipping it upside down (the smoke baffle will pivot to allow the contents to fall freely).



4. To replace the liner place it onto the liner shelf and the magnet will hold it securely. The door can now be closed and locked using the key as shown in step 1.

TO ENSURE THE PRODUCT WORKS EFFICIENTLY WE RECOMMEND THAT THE PRODUCT IS CLEANED REGULARLY WITH A WARM PRESSURE WASH WITH SOAP OR ALTERNATIVELY HAND WASH WITH 10% SOLUTION OF MILD DETERGENT IN WARM WATER USING A SOFT BRISTLE BRUSH FOLLOWED BY A RINSE WITH CLEAN WATER. PLEASE PAY PARTICULAR ATTENTION TO THE LOCK AREA AND THE PIVOTING SMOKE BAFFLE (SHOWN IN DIAGRAM J).

 **Glasdon** AND ASHMOUNT SG™ ARE TRADEMARKS OR REGISTERED TRADEMARKS OF GLASDON GROUP OR IT'S SUBSIDIARIES IN THE U.K. AND OTHER COUNTRIES

- A planned maintenance schedule of regular inspection is recommended, replacing components as necessary.
- Replacement components are available direct from GLASDON.
- GLASDON cannot be held responsible for claims arising from incorrect installation, unauthorised modifications or misuse of the product.

Issue 1 2006 Stock no. C000/0325

© Copyright 200

Glasdon UK Ltd reserve the right to alter specification without prior notice.



**Glasdon U.K. Limited**

Preston New Road  
BLACKPOOL  
Lancashire FY4 4UL  
Tel: 01253 600 410  
Fax: 01253 792 558  
e-mail: sales@glasdon-uk.co.uk  
web: www.glasdon.com